

INSTALLATION INSTRUCTIONS – A FRAME

1: CHECK DELIVERY

Check contents of the shipment

- 1) Door leaf & frame + 2 mounting extensions
- 2) Installation kit, 1 no. per door set
- 3) For frame type A, there will also be the wall cover profile (sides and 1 top piece)

2: CHECK FIXINGS

Contents of kitbag

- 1) 16 no 7.5 x 82mm Torx head screws (suitable for Masonry, steel or timber structures, see fixing Pack for drilling sizes).
- 2) 20 no. Plastic caps, clear 20mm diameter (for Screw holes in frame).
- 3) 6 no red plastic plug & 6 no 8x2 CSK Self Tapping Screw.
- 4) 6 no M6x12 CSK Hinge Screw.
- 5) 1 no. Installation instructions sheet.
- 6) Drill bits 7) Allen keys 8) 1 no. Torx Head.

3: CHECK TOOLS

Tools necessary for installation

- Spirit level
- Screw bit driver (for Torx Head bit)
- 110v Drill
- 12mm Allen key
- Sealant and application gun to bed threshold

If Fire rated

- Fire rated sealant: Must have independent fire test evidence suitable for sealing thin gauge steel (1.5mm) to wall type. Must be fire rated for equal to or more than the door
- * See final page for further sealant information

4: CHECK OPENING

Check the structural opening size. If the door is a modular size of eg. 900mm x 2100mm, the structural opening width should be 900mm (tolerance of +15/-5mm), and the structural opening height should be 2100mm (tolerance +/-5mm). If the structural opening size is larger than the indicated maximum width or height, the wall must be built up with the same material as the existing wall to preserve its fire rating (where applicable).

5: SEPARATE DOOR/FRAME

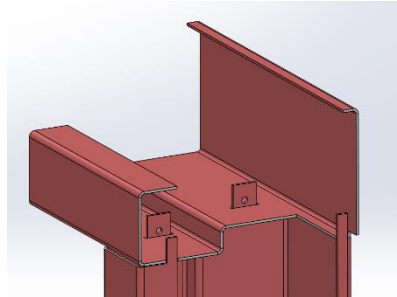
Separate the door leaf from the frame. On double doors, unless specifically requested, the frame will be supplied ready for site assembly (see below).

6: DOUBLE DOORS

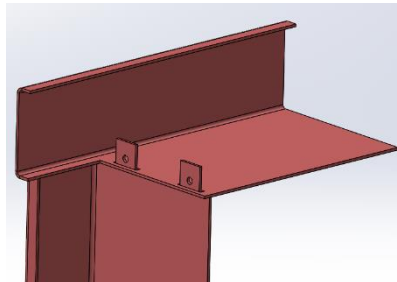
For ease and safety in transit, the double door frame will have been supplied in 7 sections. You will have:

- 2 x Hinge Jambs (1 LH and 1 RH)
- 2 x Hinge Trims (1 LH and 1 RH)
- 1 x Header section
- 1 x Header Trim
- 1 x Threshold

- 1) Fit the header section over the tabs on the Hinge jamb, fix in place using self-tapping screws.
- 2) Using a hammer and flat head screwdriver, bend over the tabs so they sit against the header section.
- 3) Repeat for the opposite hinge jamb.
- 4) Standard thresholds should be fitted into the bottom of the hinge jambs at this point with rivets supplied.



- 5) Connect LH hinge trim to header trim using the tab and screw method.
- 6) Repeat for the RH trim.



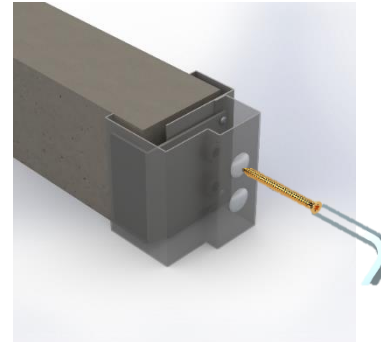
7: MOUNT THE FRAME

Lift the frame assembly into the opening, placing centrally. Using the 12mm Allen key, wind out one of the pair of fixing feet at the top and bottom corners, this will secure your frame to the structure.

Slide the trim assembly between the structure and frame assembly on the internal side. Using the remaining fixing of the pair, secure the trim to the main frame by winding the jack screw back towards the frame.

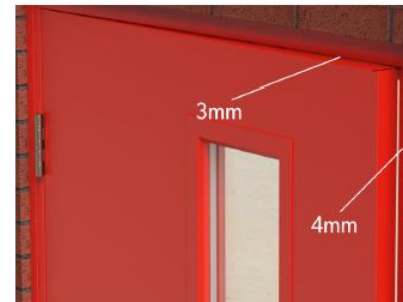
The middle two feet can now be wound out. These can be adjusted once the door is hung.

8: FRAME FIXING



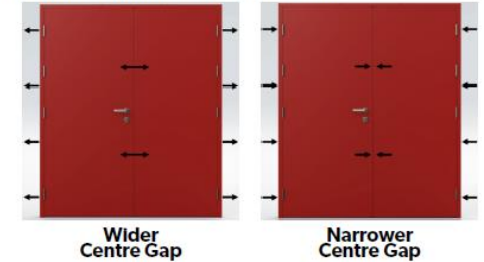
9: HANG DOOR LEAF

Hang the door leaf into the frame. Check the function of the door and the gaps between the door leaf and frame. These should 4mm at the side and 3mm at the top. All screws must rest on the pins of the hinges.



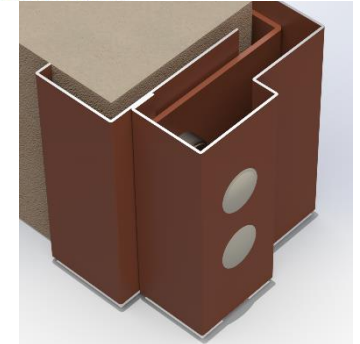
10: CHECK DOOR GAPS

The gaps on a double door between the leaves at the centre point can be made wider or narrower by adjusting the frame. Please see diagrams and instructions overleaf for clarification.



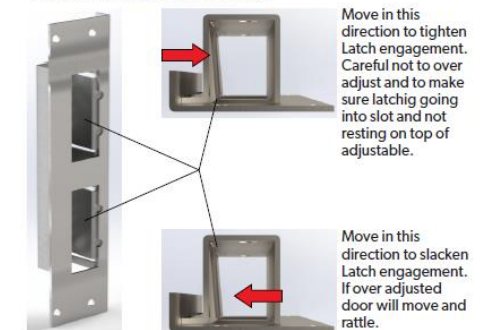
11: FIT CAPS

Fit the plastic cover caps to cover up the holes for the mounting bolts.

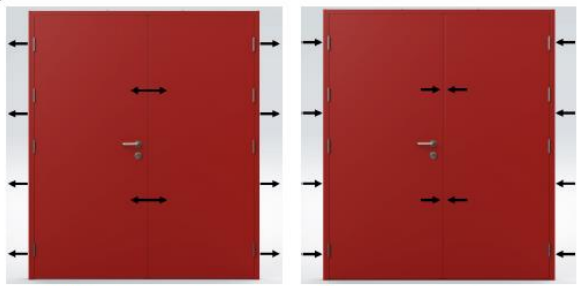


12: ADJUST KEEP

Adjust by bending forwards or backwards to allow door to latch/lock correctly.



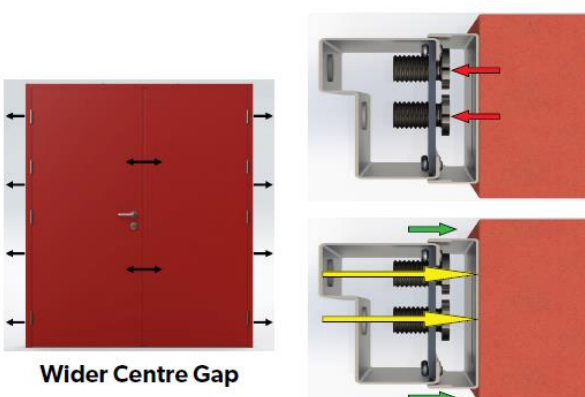
DOOR GAPS



The gaps on a double door between the leaves at the center point can be made wider or narrower by adjusting the frame.

Wider Centre Gap **Narrower Centre Gap**

1: WIDER CENTRE GAP

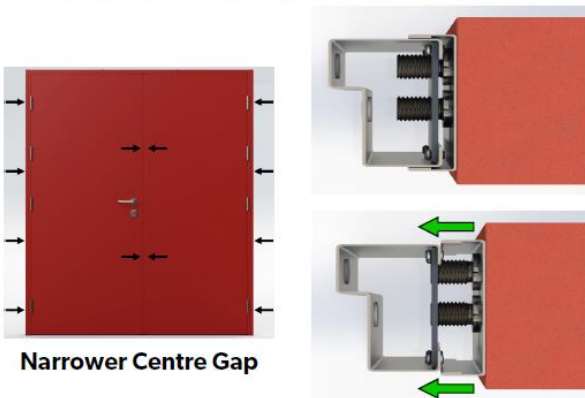


The 4 Screw Jacks on each frame leg need winding back into the frame to open a gap up between the structure and the frame.

The frame fixings screws need to be driven into the structure, thus adjusting the frame outwards towards the structure.

Wider Centre Gap

2: NARROWER CENTRE GAP



4 Screw Jacks on each frame leg need winding out on to the structure.

Continuing to wind the Screw Jacks out will adjust the frame away from the structure and push the door blades together.

Narrower Centre Gap

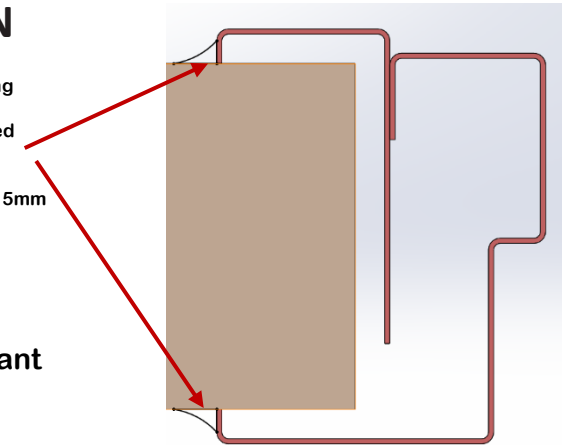
SEALANT INFORMATION

Please note – Sealant is not required for fire stopping

If Sealant is preferred, below is a list of pre-approved sealants that can be used in the location seen here:

*With a maximum bead depth and width of 15mm x 15mm

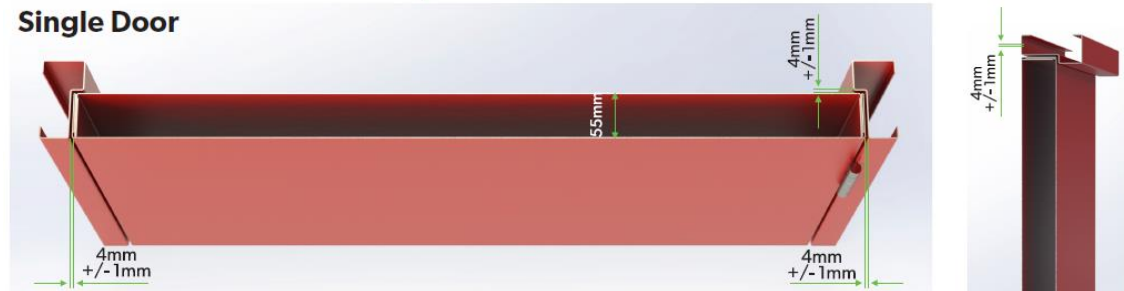
- Everbuild Firemate
- Hilti CP606
- Rockwool Firepro
- Quelfire Intumescent sealant



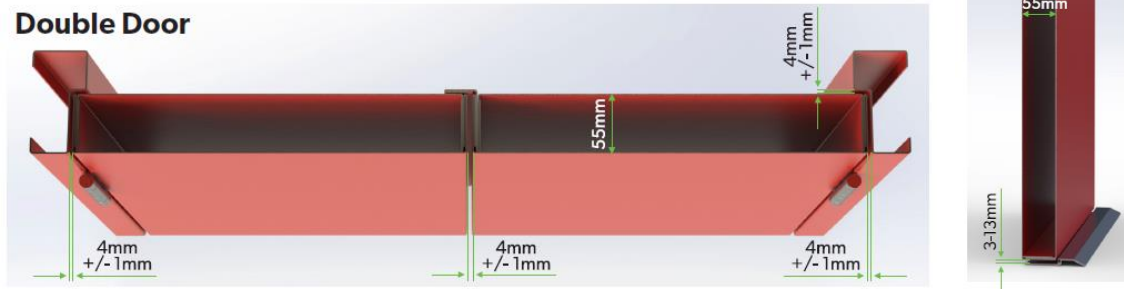
Sealant Installation

Ensure surfaces are clean and dry. Sealant should only be applied in ambient temperatures of 5°C - 40°C. Curing time will take between 15-60 minutes, depending on humidity and temperature.

Single Door



Double Door



*Frame shown for door gap details is C type and is representative